

# MIGNON 24 BL 4000K 19°

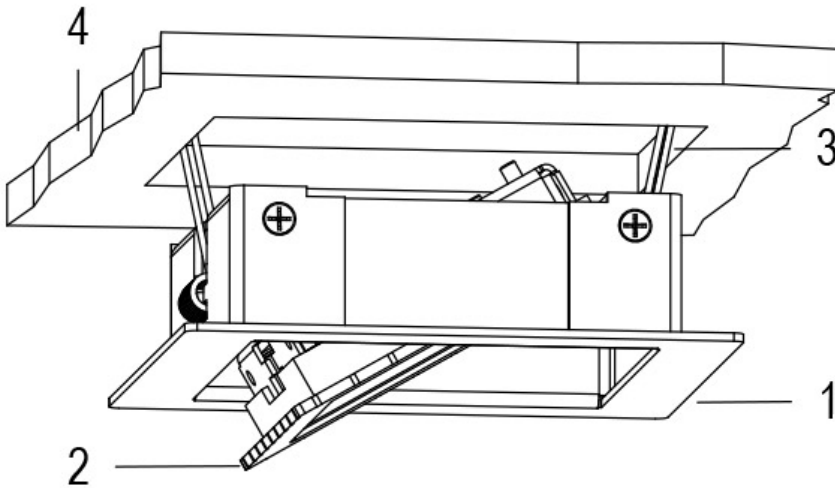
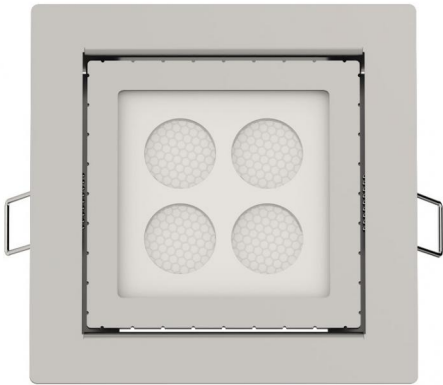
Cod. 8804625164

## FLUSH-MOUNTING SPOTLIGHT

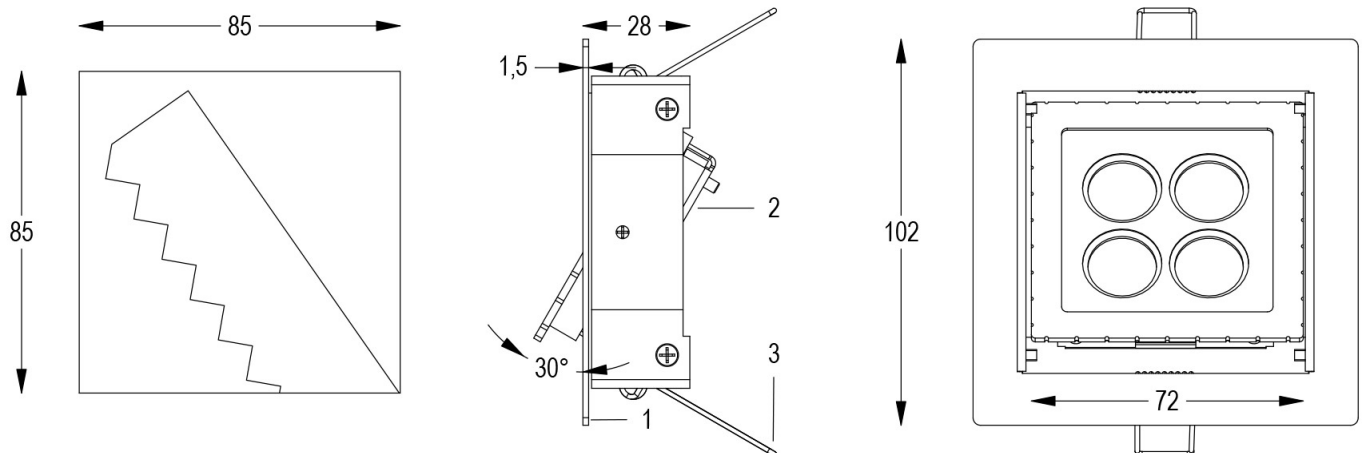
High-power 4-LED tilting flush-mounting spotlight for indoor use, constant voltage supply, with grey-painted square frame.

### Technical data:

Power supply	24V DC
Current	0.36 A @24 V DC
Maximum power consumption	9W
Electrical insulation class	III
Connection	8cm OF SINGLE-POLE CABLE + TERMINAL
Beam angle	19°
Number of LEDs	4
LED colour	4000K
Colour Rendering	CRI>80
Total luminous flux	862 lumens
Body	ALUMINIUM
Finish colour	PAINTED GREY
Weight	0.15 kg
IP protection rating	IP20
Working position	FLUSH-MOUNTED (TILTING)
Cooling system	NATURAL CONVECTION
Ambient temperature limits	-20°C/+40°C



- 1 FIXING FRAME
- 2 TILTING LAMP
- 3 FLUSH-MOUNTED SPRING
- 4 FALSE CEILING



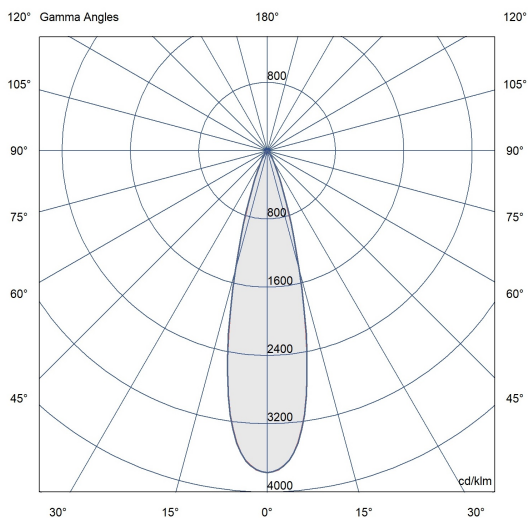
13/05/22 - The data in this document may be changed without notice in order to improve the product or to correct any errors.

# MIGNON 24 BL 4000K 19°

Cod. 8804625164

## FLUSH-MOUNTING SPOTLIGHT

High-power 4-LED tilting flush-mounting spotlight for indoor use, constant voltage supply, with grey-painted square frame.



13/05/22 - The data in this document may be changed without notice in order to improve the product or to correct any errors.