

MIGNON 24 BL 3000K 19°

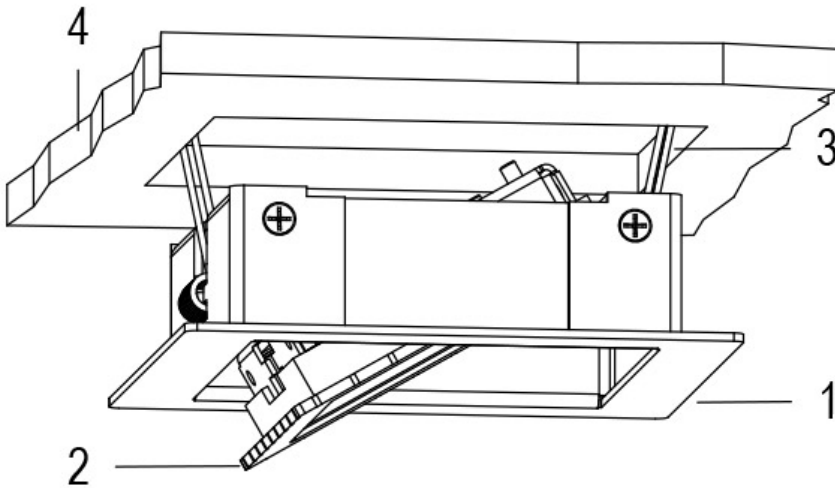
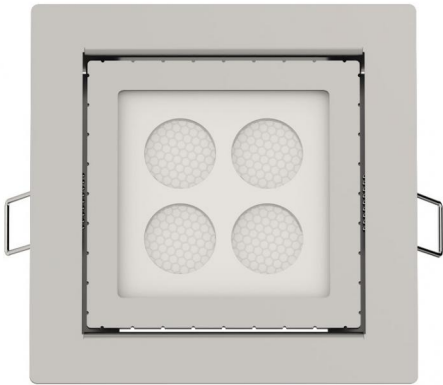
Cod. 8804625190

FLUSH-MOUNTING SPOTLIGHT

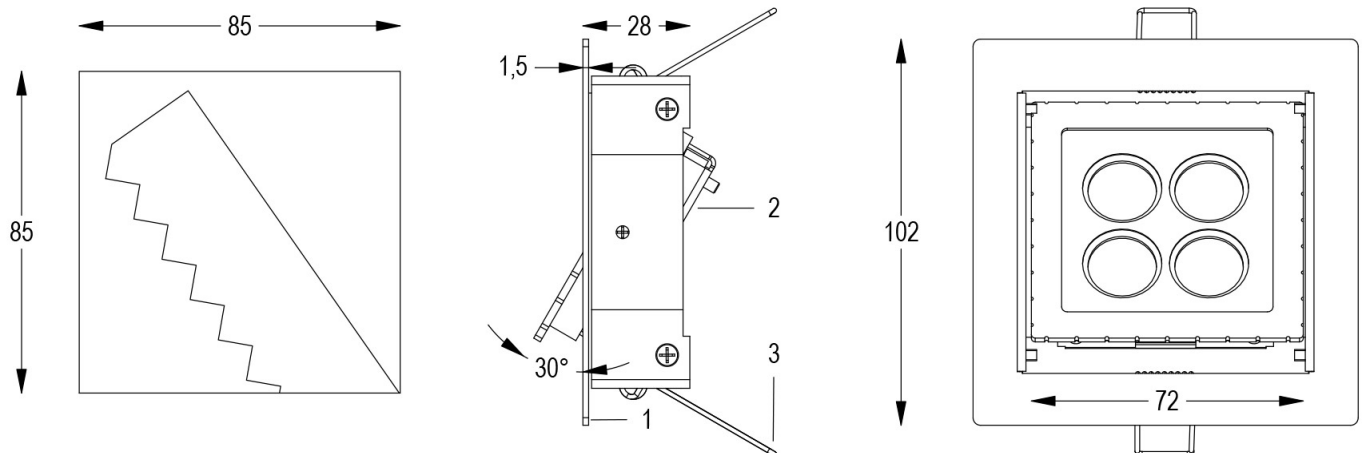
High-power 4-LED tilting flush-mounting spotlight for indoor use, constant voltage supply, with grey-painted square frame.

Technical data:

| | |
|-----------------------------|-------------------------------------|
| Power supply | 24V DC |
| Current | 0.36 A @24 V DC |
| Maximum power consumption | 9W |
| Electrical insulation class | III |
| Connection | 8cm OF SINGLE-POLE CABLE + TERMINAL |
| Beam angle | 19° |
| Number of LEDs | 4 |
| LED colour | 3000K |
| Colour Rendering | CRI>90 |
| Total luminous flux | 658 lumens |
| Body | ALUMINIUM |
| Finish colour | PAINTED GREY |
| Weight | 0.15 kg |
| IP protection rating | IP20 |
| Working position | FLUSH-MOUNTED (TILTING) |
| Cooling system | NATURAL CONVECTION |
| Ambient temperature limits | -20°C/+40°C |



- 1 FIXING FRAME
- 2 TILTING LAMP
- 3 FLUSH-MOUNTED SPRING
- 4 FALSE CEILING



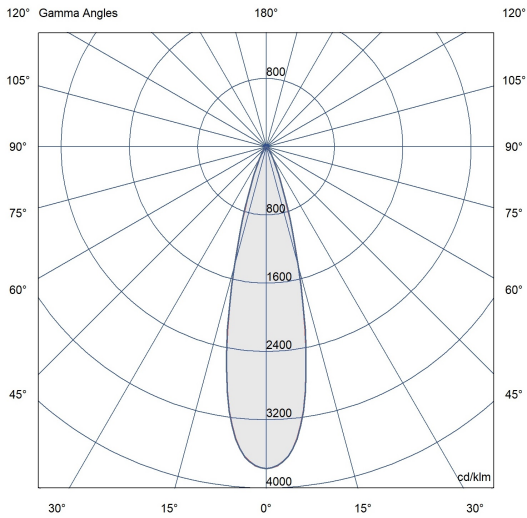
13/05/22 - The data in this document may be changed without notice in order to improve the product or to correct any errors.

MIGNON 24 BL 3000K 19°

Cod. 8804625190

FLUSH-MOUNTING SPOTLIGHT

High-power 4-LED tilting flush-mounting spotlight for indoor use, constant voltage supply, with grey-painted square frame.



13/05/22 - The data in this document may be changed without notice in order to improve the product or to correct any errors.