

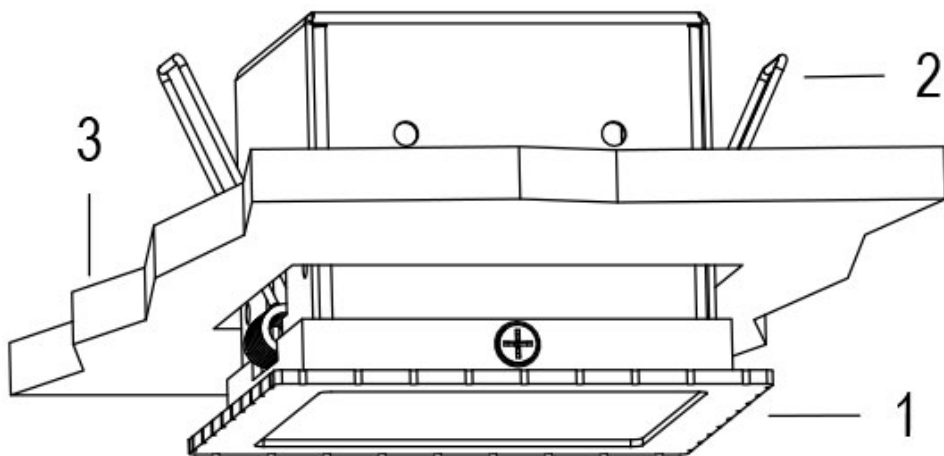
# MIGNON 24 RGBW DMX 20° Cod. 8804627404

## FLUSH-MOUNTING SPOTLIGHT

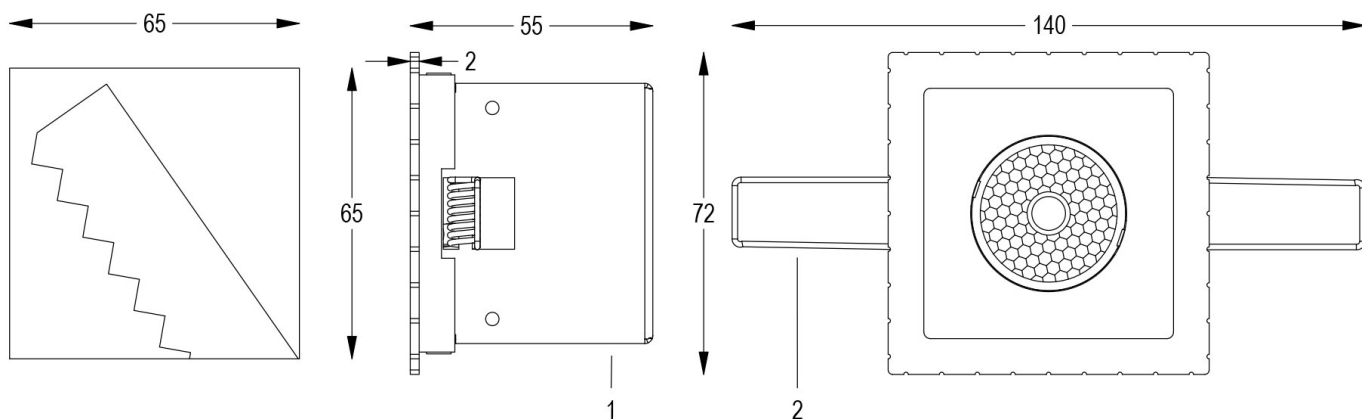
Faretto cambia colori RGBW da incasso per interni a 4 LED ad alta potenza, controllato con segnale DMX 512, con cornice quadrata verniciata grigia.

### Technical data:

Power supply	24V DC
Current	0.66 A
Maximum power consumption	16 W
Electrical insulation class	III
Connection	8cm OF SINGLE-POLE CABLE + TERMINAL
Maximum cable length	12 m
Beam angle	20°
Number of LEDs	4
LED colour	RGBW
Total luminous flux	257 lumen
White luminous flux	101 lumen
Red luminous flux	32 lumen
Green luminous flux	94 lumen
Blue luminous flux	30 lumen
Body	ALUMINIUM
Finish colour	PAINTED GREY
Weight	0.2 Kg
IP protection rating	IP20
Working position	FLUSH-MOUNTED
Cooling system	NATURAL CONVECTION
Ambient temperature limits	-20°C/+40°C
Thermal protection	ACTIVE ELECTRONICS
Control signal	DMX 512
DMX channels	1 RED, 2 GREEN, 3 BLUE, 4 WHITE, 5 STROBE EFFECT, 6 RAINBOW EFFECT



- 1 LAMP
- 2 FLUSH-MOUNTED SPRING
- 3 FALSE CEILING

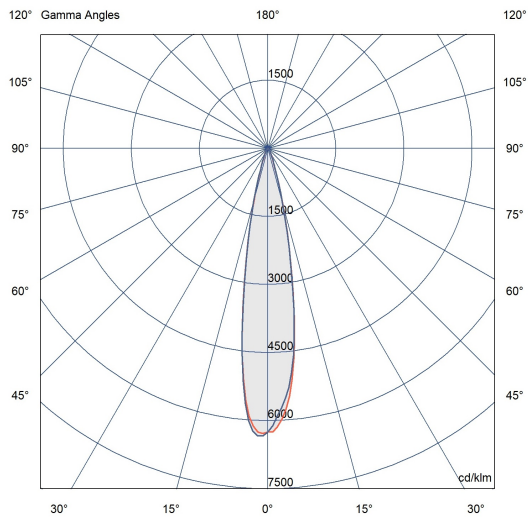


13/05/22 - The data in this document may be changed without notice in order to improve the product or to correct any errors.

# MIGNON 24 RGBW DMX 20° Cod. 8804627404

## FLUSH-MOUNTING SPOTLIGHT

Faretto cambia colori RGBW da incasso per interni a 4 LED ad alta potenza, controllato con segnale DMX 512, con cornice quadrata verniciata grigia.



13/05/22 - The data in this document may be changed without notice in order to improve the product or to correct any errors.