

MINI PONY PC DMX BLACK 3000K

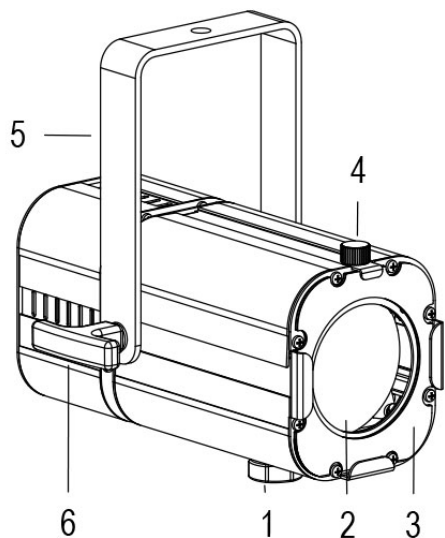
Cod. 9801016605

SPOTLIGHT WITH GEL HOLDER and 1m of CABLE

Handy and swiveling spot with compact size with manual zoom adjustment with PC lens, high-power 1 COB source, controlled with DMX 512 and DALI signals. Complete with color gel frame. CUSTOM COLORS ON REQUEST.

Technical data:

Power supply	100-240 V AC 50/60Hz
Current	0.25 A @230V AC
Maximum power consumption	55W
Electrical insulation class	I
Connection	1 m OF NEOPRENE CABLE 3X1.5
Beam angle	13°/102°
Number of LEDs	1
LED colour	3000K
Colour Rendering	CRI>90
Total luminous flux	6900 lumens
Body	EXTRUDED ALUMINIUM + SHEET METAL
Finish colour	PAINTED BLACK
Weight	2.1 kg
IP protection rating	IP20
Working position	ANY
Cooling system	FORCED VENTILATION
Ambient temperature limits	-20°C/+40°C
Thermal protection	ACTIVE ELECTRONICS
Control signal	DMX 512 - DALI
DMX channels	1 DIMMER (8bit) - 1 DIMMER msb, 2 DIMMER lsb (16bit)



- 1 ADJUSTABLE ZOOM
- 2 PC LENS
- 3 GEL HOLDER FRAME
- 4 FRAME RETAINING FLYWHEEL
- 5 ORIENTABLE FORK
- 6 PIVOT HINGE

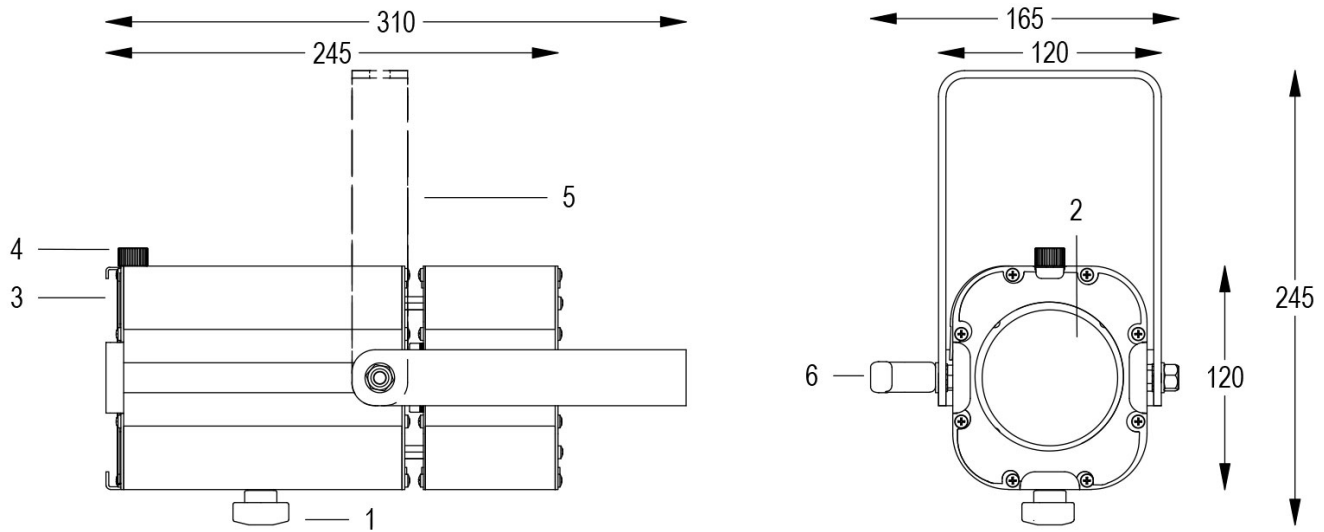
13/05/22 - The data in this document may be changed without notice in order to improve the product or to correct any errors.

MINI PONY PC DMX BLACK 3000K

Cod. 9801016605

SPOTLIGHT WITH GEL HOLDER and 1m of CABLE

Handy and swiveling spot with compact size with manual zoom adjustment with PC lens, high-power 1 COB source, controlled with DMX 512 and DALI signals. Complete with color gel frame. CUSTOM COLORS ON REQUEST.



13/05/22 - The data in this document may be changed without notice in order to improve the product or to correct any errors.