

FORTE PROFILE 150 HD WL Cod. 0913065204

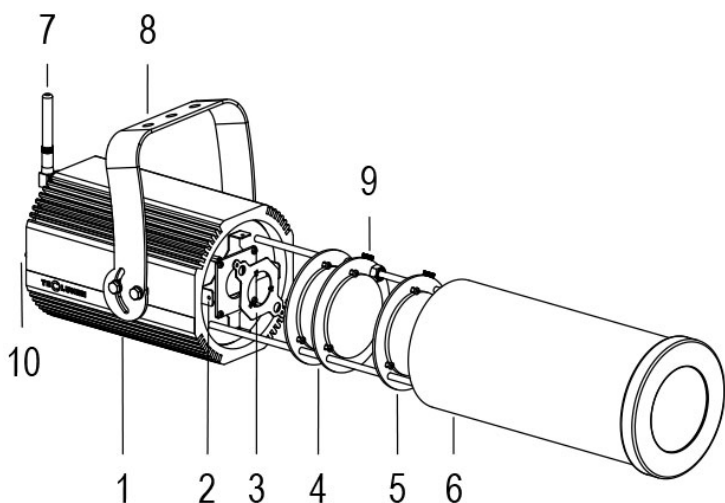
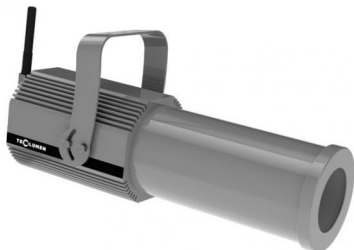
16°/30° 3000K GREY

FIXTURE WITH 1m of CABLE

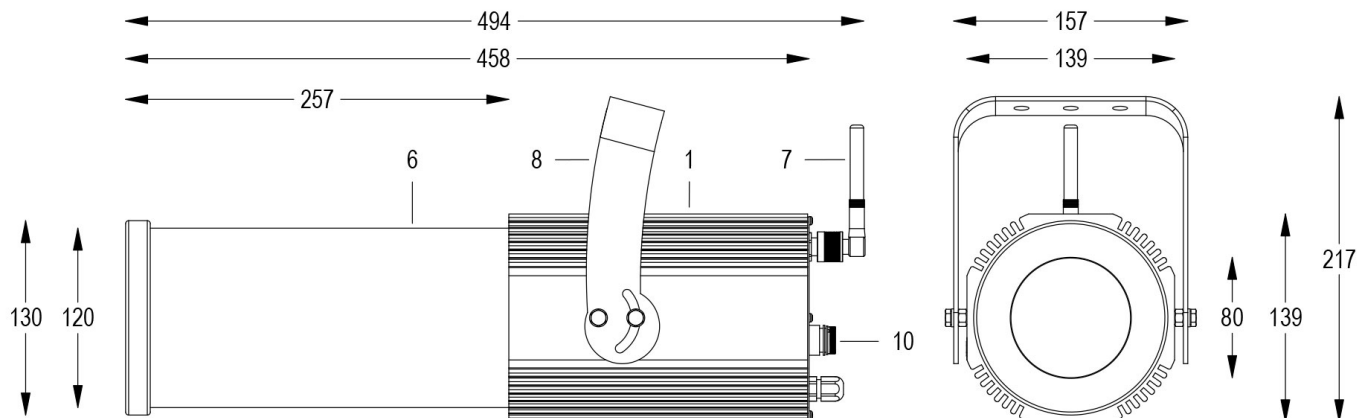
Handy orientable profiler with a compact size and manual adjustment of zoom and focus, with high-definition optics, 1 COB source with ultra-high light output, controlled with DMX 512 wireless signal. Salt mist resistant paint. Anti-condensation valve. Complete with gobo holder.

Technical data:

Power supply	100-240 V AC 50/60Hz
Current	0.25 A @230V AC
Maximum power consumption	58W
Electrical insulation class	I
Connection	1 m OF NEOPRENE CABLE 3X1.5
Beam angle	16°/30°
Number of LEDs	1
LED colour	3000K
Colour Rendering	CRI>92
Total luminous flux	5559 lumens
Body	ANODIZED ALUMINIUM
Finish colour	PAINTED GREY RESISTANT TO SALT MIST
Weight	5.6 kg
IP protection rating	IP65
Working position	ANY
Cooling system	NATURAL CONVECTION
Ambient temperature limits	-20°C/+40°C
Thermal protection	ACTIVE ELECTRONICS
Control signal	WIRELESS DMX



- 1 ALUMINIUM DIE CASTING
- 2 SHUTTERS
- 3 GOBO HOLDER
- 4 ZOOM LENSES
- 5 FOCUS LENS
- 6 IP65 COVERAGE
- 7 WIRELESS ANTENNA
- 8 ORIENTABLE BRACKET
- 9 ZOOM AND FOCUS TIGHTENING
- 10 ANTI-CONDENSATION VALVE



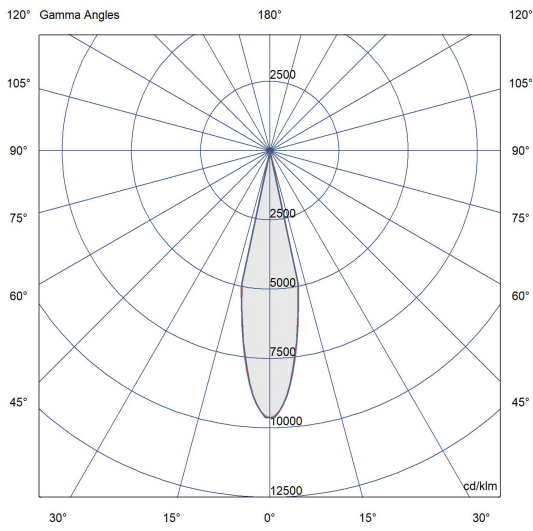
16/05/22 - The data in this document may be changed without notice in order to improve the product or to correct any errors.

FORTE PROFILE 150 HD WL Cod. 0913065204

16°/30° 3000K GREY

FIXTURE WITH 1m of CABLE

Handy orientable profiler with a compact size and manual adjustment of zoom and focus, with high-definition optics, 1 COB source with ultra-high light output, controlled with DMX 512 wireless signal. Salt mist resistant paint. Anti-condensation valve. Complete with gobo holder.



16/05/22 - The data in this document may be changed without notice in order to improve the product or to correct any errors.