

# FORTE PROFILE 150 HD

## 16°/30° 5600K GREY

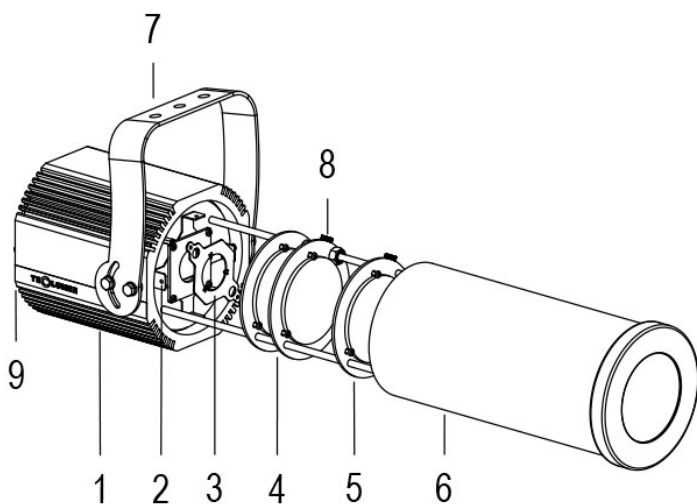
**Cod. 0912412904**

FIXTURE WITH 1m of CABLE

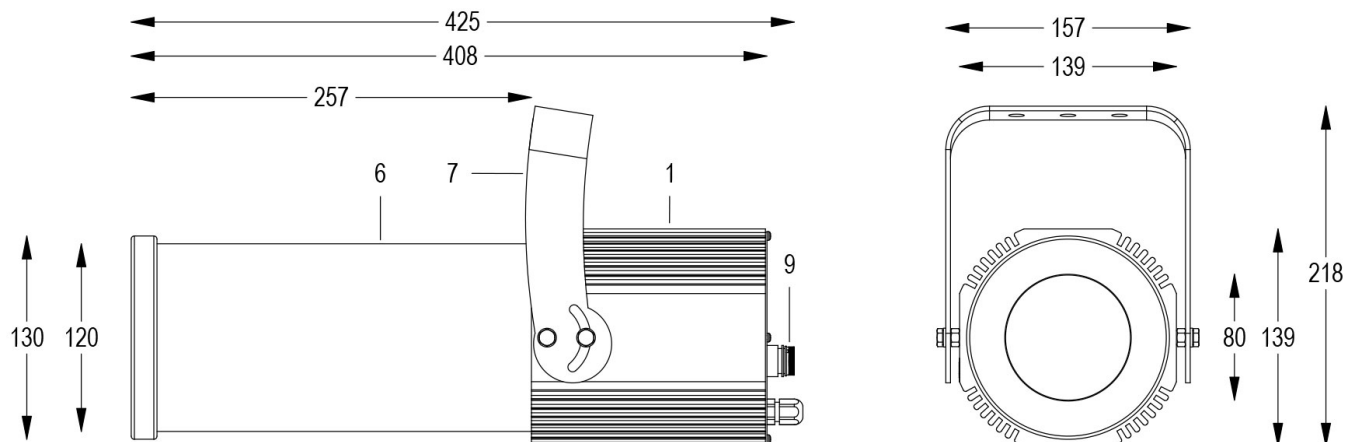
Handy orientable profiler with a compact size and manual adjustment of zoom and focus, with high-definition optics, 1 COB source with ultra-high light output. Salt mist resistant paint. Anti-condensation valve. Complete with gobo holder.

**Technical data:**

Power supply	100-240 V AC 50/60Hz
Current	0.25 A @230V AC
Maximum power consumption	58W
Electrical insulation class	I
Connection	1 m OF NEOPRENE CABLE 3X1.5
Beam angle	16°/30°
Number of LEDs	1
LED colour	5600K
Colour Rendering	CRI>80
Total luminous flux	5952 lumens
Body	ANODIZED ALUMINIUM
Finish colour	PAINTED GREY RESISTANT TO SALT MIST
Weight	5.6 kg
IP protection rating	IP65
Working position	ANY
Cooling system	NATURAL CONVECTION
Ambient temperature limits	-20°C/+40°C
Thermal protection	ACTIVE ELECTRONICS
Control signal	ON/OFF



- 1 ALUMINIUM DIE CASTING
- 2 SHUTTERS
- 3 GOBO HOLDER
- 4 ZOOM LENSES
- 5 FOCUS LENS
- 6 IP65 COVERAGE
- 7 ORIENTABLE BRACKET
- 8 ZOOM AND FOCUS TIGHTENING
- 9 ANTI-CONDENSATION VALVE



16/05/22 - The data in this document may be changed without notice in order to improve the product or to correct any errors.

# FORTE PROFILE 150 HD 16°/30° 5600K GREY

**Cod. 0912412904**

FIXTURE WITH 1m of CABLE

Handy orientable profiler with a compact size and manual adjustment of zoom and focus, with high-definition optics, 1 COB source with ultra-high light output. Salt mist resistant paint. Anti-condensation valve. Complete with gobo holder.

## Allo zoom minimo

<b>Dist. m</b>	5	10	15	20	25	30
<b>Lux</b>	4360	1090	484	273	174	121
<b>Diam. m</b>	1,4	2,8	4,2	5,6	7,1	8,5

## Allo zoom massimo

<b>Dist. m</b>	5	10	15	20	25	30
<b>Lux</b>	2747	687	305	172	110	76
<b>Diam. m</b>	2,7	5,4	8,0	10,7	13,4	16,1

16/05/22 - The data in this document may be changed without notice in order to improve the product or to correct any errors.